



Trucker Kickstand Plate Instructions

Hi there. Thanks for spending your hard-earned cash on this Surly product. Surly stuff is designed to be useful and durable. We're confident it will serve you well for years to come.

⚠ WARNING: Cycling can be dangerous. Bicycle products should be installed and serviced by a professional mechanic. Never modify your bicycle or accessories. Read and follow all product instructions and warnings including information on the manufacturer's website. Inspect your bicycle before every ride. Always wear a helmet.

For additional safety information about all Surly products visit: surlybikes.com/safety

Produktthinweise finden Sie auf der Website: surlybikes.com/safety.

Las instrucciones del producto pueden encontrarse en el sitio web: surlybikes.com/safety

Le mode d'emploi est disponible sur le site Web : surlybikes.com/safety

Le istruzioni sul prodotto si trovano sul sito: surlybikes.com/safety

製品取扱説明書はウェブサイトにあります: surlybikes.com/safety

Trucker Kickstand Plate Compatibility and Intended Use

The Trucker Kickstand Plate is designed for use with Surly Long Haul Trucker or Disc Trucker frames. **Note:** Check with your kickstand manufacturer regarding compatibility.

Tools Required

- 14mm box-end wrench
- Grease

Installation

1. Place upper and lower Trucker Kickstand Plates on your chainstays.
2. Remove the upper plate supplied with your kickstand. Throw it as far as you can.
3. Apply grease to kickstand fixing bolt. Insert kickstand fixing bolt through Surly upper and lower kickstand plate, and tighten into the body of your kickstand. Torque fixing bolt to 15Nm (Figure 1). **Note:** The Trucker Kickstand Plate fits to your Long Haul or Disc Trucker frame using two precisely machined channels. Ensure proper placement of the plate before tightening your Trucker Kickstand Plate to avoid damaging your frame.

⚠ WARNING: Before fully tightening fixing bolt, ensure neither the kickstand, fixing bolt, nor top plate interfere with derailleur cables.

⚠ WARNING: Over tightening the kickstand on frames without a kickstand plate can damage the frame, rendering it unsafe to ride.

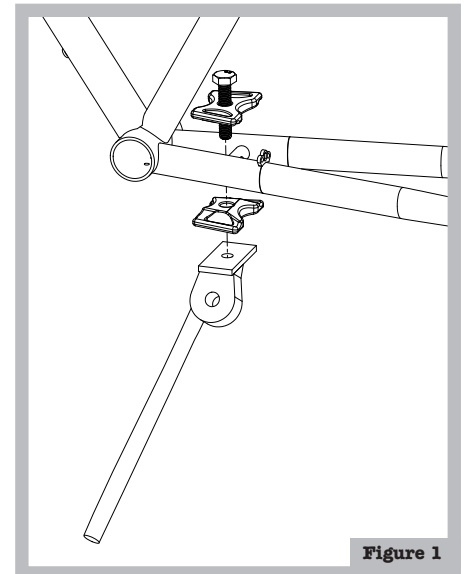


Figure 1

Ongoing Maintenance

Inspect your Kickstand Plate before every ride to ensure that your kickstand fixing bolt is torqued to proper specification. Inspect the plates for excessive wear or cracking. If you notice any damage, have a professional bike mechanic inspect your product immediately.

Limited Warranty

This Surly product is warranted against defects in materials and workmanship for one year from the date of retail purchase of the product, subject to the limitations detailed below. Save your dated receipt for proof of purchase.

This warranty does NOT cover the following:

- Damage due to improper assembly or follow-up maintenance or lack of skill, competence or experience of the user or assembler
- Products that have been modified, neglected, used in competition or for commercial purposes, misused or abused, involved in accidents or anything other than normal use
- Installation of components, parts or accessories not originally intended for or compatible with Surly product as sold
- Damage or deterioration to the paint, surface finish, aesthetics or appearance of the product
- Normal wear and tear
- Labor required to remove and/or refit and re-adjust the product within the bicycle assembly

This limited warranty is expressly limited to the repair or replacement of a defective product, at the option of Surly, and is the sole remedy of the warranty. This limited warranty applies only to the original purchaser of the Surly product and is not transferable. This warranty applies only to products purchased through an authorized dealer or distributor. In no event shall Surly be liable for any loss, inconvenience or damage, whether direct, incidental, consequential, or otherwise resulting from breach of any express or implied warranty or condition, of merchantability, fitness for a particular purpose, or otherwise with respect to our products except as set forth herein.

This limited warranty gives the consumer specific legal rights, and those rights and other rights may vary from place to place. This limited warranty does not affect your statutory rights.

TO THE EXTENT NOT PROHIBITED BY LAW, THESE WARRANTIES ARE EXCLUSIVE AND THERE ARE NO OTHER EXPRESS OR IMPLIED WARRANTIES OR CONDITIONS INCLUDING WARRANTIES OR CONDITIONS OF MERCHANTABILITY AND FITNESS FOR A PARTICULAR PURPOSE.

OTHER PRODUCTS:

Give us a call for a free catalog or visit our website to check out all our stuff—you won't be disappointed.

Surly

6400 West 105th Street
Bloomington, MN 55438

The Watts Line: 877.743.3191

The Email: derby@surlybikes.com

The Web Address: surlybikes.com